

## 5 Getting your roller blind the right width

### START BY CUTTING YOUR ROLLER

- If you're hanging the blind inside the reveal of your window, you might have to cut it to the right width before fitting it.
- First of all, measure the width of the window space inside the reveal. Then, to allow for brackets and the cord winder, cut the roller 38mm less than the width of the space you've measured. Use a hacksaw to then cut the roller (**fig.6**) and smooth the end with a round file.

### THEN CUT YOUR BLIND FABRIC

- Using the cut roller as your guide, take a pencil to mark the fabric 1.5mm in from the end of the roller in a number of places down the length of the fabric (**fig.7**).
- Mark 1.5mm in from each side if you're trimming both sides of the fabric.
- Use a straight batten/ruler to join the marks along the entire length of the fabric.
- Then use a craft knife to cut the fabric against the edge of your batten, and trim the plastic bar at the bottom of the blind. Cut this 12.5 mm less than the width of the fabric and insert the end caps into each end.
- Finally, fit the cord winder, and you're ready to hang your new blind.

## 6 The best way to hang your blind

- First of all, insert the cord winder end of the blind into the bracket (square peg into square hole). Then, at the opposite end, place the dummy pin into the other bracket. That's pretty much it! Just pull your cord winder to pull the blind up and down.

### TERRY'S HANDY TIP

If you're cutting your roller, you can prevent your hacksaw from slipping by covering the bit you're cutting with masking tape.

### TERRY'S HANDY TIP

When trimming a patterned blind, make sure you trim equally from either side of your blind so you don't end up with a lopsided pattern.

### Just the job

Get the right tools at the right price.

Any products not available in store can be ordered via customer services



Wilko 25mm aluminium venetian blind



Wilko 25mm wood effect venetian blind



Wilko latte roller blind

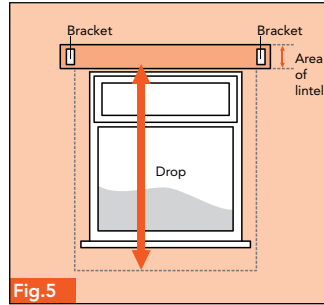


Fig.5

Don't hang the blind above the lintel, it will look odd.

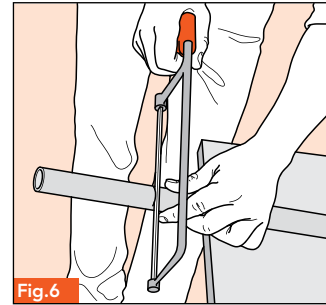


Fig.6

Use a hacksaw to cut the roller.

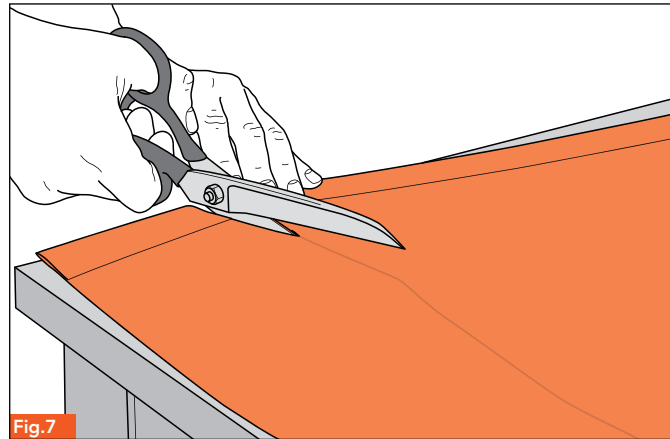
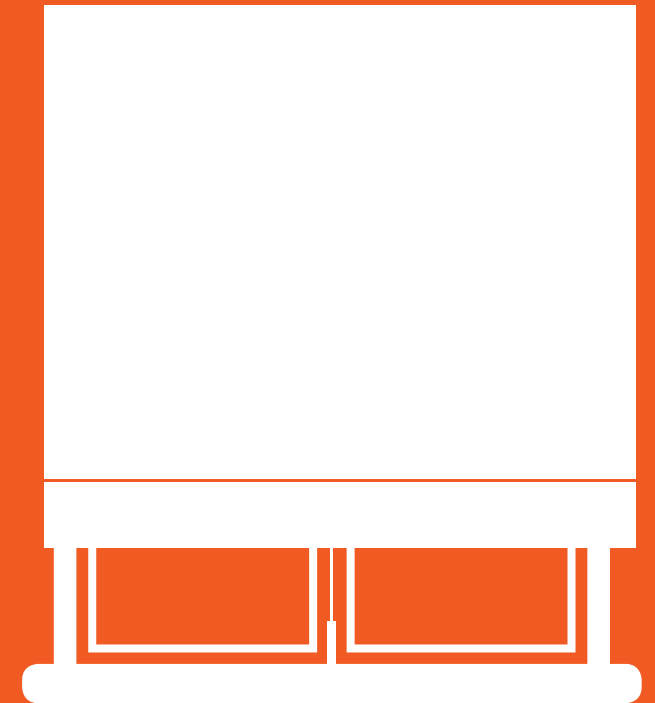


Fig.7

Use a cut roller as a guide and mark the fabric 1.5mm in from the end.

# wilkinson

## Your guide to... fitting blinds



Skill rating:  
**easy**  
Should take:  
**about an hour**

## HANDY ADVICE

## Perfect blinds every time



## Terry, the DIY genius

A great set of blinds will compliment your windows nicely. Putting them up is relatively straightforward,

and we'll show you how to get it done in no time at all.

Remember! When undertaking DIY tasks you must always take your own ability into account and you must also read and follow any packaging and manufacturers' instructions. This leaflet is intended to be a basic guide only and is not a substitute for any professional advice.

## 1 Picking the right blind for you

## VENETIAN BLINDS

- You can choose whether to keep out light altogether, direct it upwards for a soft, diffused effect, or direct it downwards.
- There's a big selection of aluminium, PVC and wooden Venetian blinds available in widths ranging from 60cm to 1.8m.

## ROLLER BLINDS

- Ideal if you're after a soft fabric look, rather than metal or wooden blinds.
- There are a lot of sizes available, so they can always be adjusted to fit.
- Spring-loaded blinds are a bit hit and miss, so most are now cord-operated (fig.1). You can fit the pull cord on the left or right, whichever suits you best.
- If you'd like complete blackness at night and better insulation, you'll be best off with blackout roller blinds.

## 2 Fitting your roller blind

- If you want to fit your roller blind inside a window recess (fig.2) then it'll have to be cut to the right width. You can also hang it outside the window recess (fig.3), avoiding the problem of projecting window handles, plants and ornaments on your windowsill.

## 3 The best way to measure up

- Once you've made up your mind on how you'll hang your blind, measure the width and the drop (making sure the length covers the window). If you're hanging a blind outside the recess, add at least 25mm to either side of the recess to give the minimum width of your ideal blind (fig.3).
- Don't worry if you can't find a blind to fit the exact width of your window, just buy the next width up and trim it to size (see step 5).

## 4 Fixing your brackets

- Brackets can be fixed on either the face of the window surround or at the top. The brackets that come with your blind are drilled to allow you to fix them either way (fig.4a and 4b).

## IN A WINDOW RECESS

- You can screw your brackets to either the window frame, the adjacent walls or the underside of the top of the window. It's not a good idea to screw brackets into PVC window frames.
- Place the brackets exactly where you want to fix them and mark the screw positions with a bradawl or pencil. Then, drill some small guide holes and screw the brackets in place using rawl plugs and screws. Choose the correct rawl plug for your wall type (solid, plasterboard or dry lined walls etc), this will ensure a secure fit.

## INTO MASONRY

- Firstly, mark the exact position for your screw holes. Try not to go too close to any edges or corners, as you might chip the bricks or spoil the wall. Keep a 5mm clearance.
- Then, drill the holes and fit rawl plugs to give some grip, and screw the brackets into the wall.

## ABOVE A WINDOW (OUTSIDE THE REVEAL)

- Lintels support the wall above a window, and are very hard. You'll need to use the correct drill bit when fixing brackets to the lintel.
- Although it's tempting, don't hang the blind above the lintel (fig.5). Mark and drill the screw holes in the lintel using a heavy-duty masonry drill bit. Then screw the brackets in place using rawl plugs.

## TO THE CEILING

- Ideally, you'll have a ceiling joist to screw into. If the joist runs at 90 degrees to the wall, locate the position of the joists and mark them using a joist finder. If the joists are in good positions, screw the brackets into these using the right rawl plugs.

## TERRY'S HANDY TIP

Don't forget to think about window handles or tiles when you're working out how to hang your blinds. You'll need to plan around them to get the right fit.

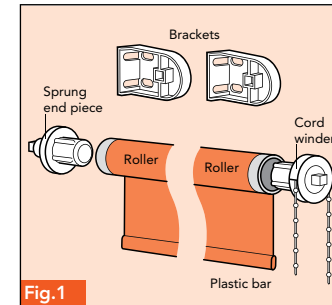


Fig.1

You can fit the pull cord on the left or right.

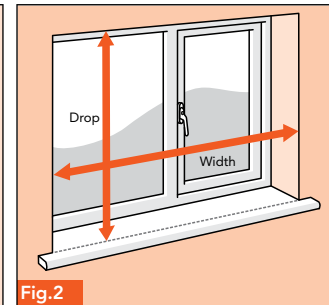


Fig.2

To fit your roller blind inside a window recess, make sure it's cut to the right width.

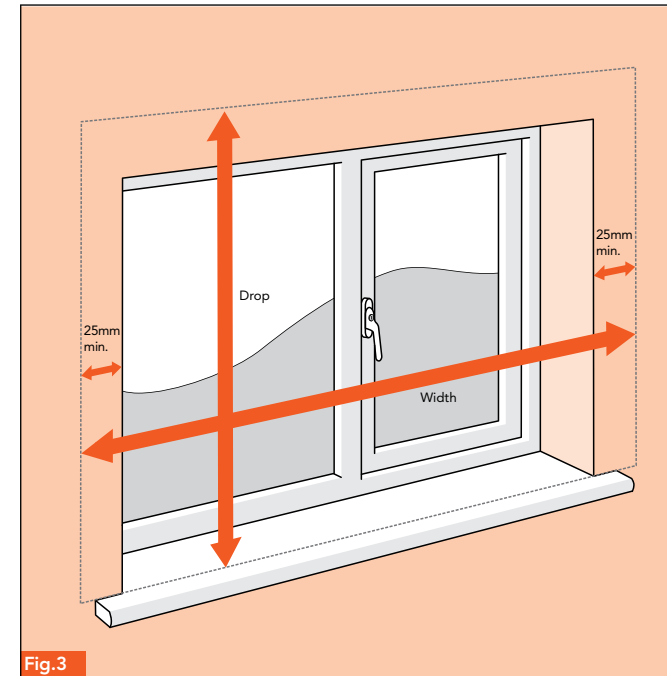


Fig.3

Add at least 25mm to either side of the recess to find the ideal length of your blind.

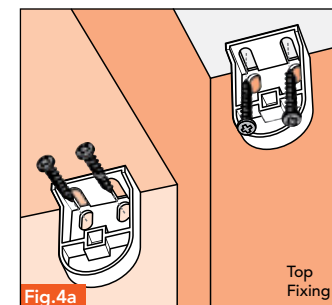


Fig.4a

Top Fixing

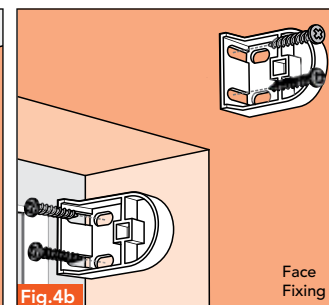


Fig.4b

Face Fixing

Brackets can be fixed on either the face of the window surround or the top.